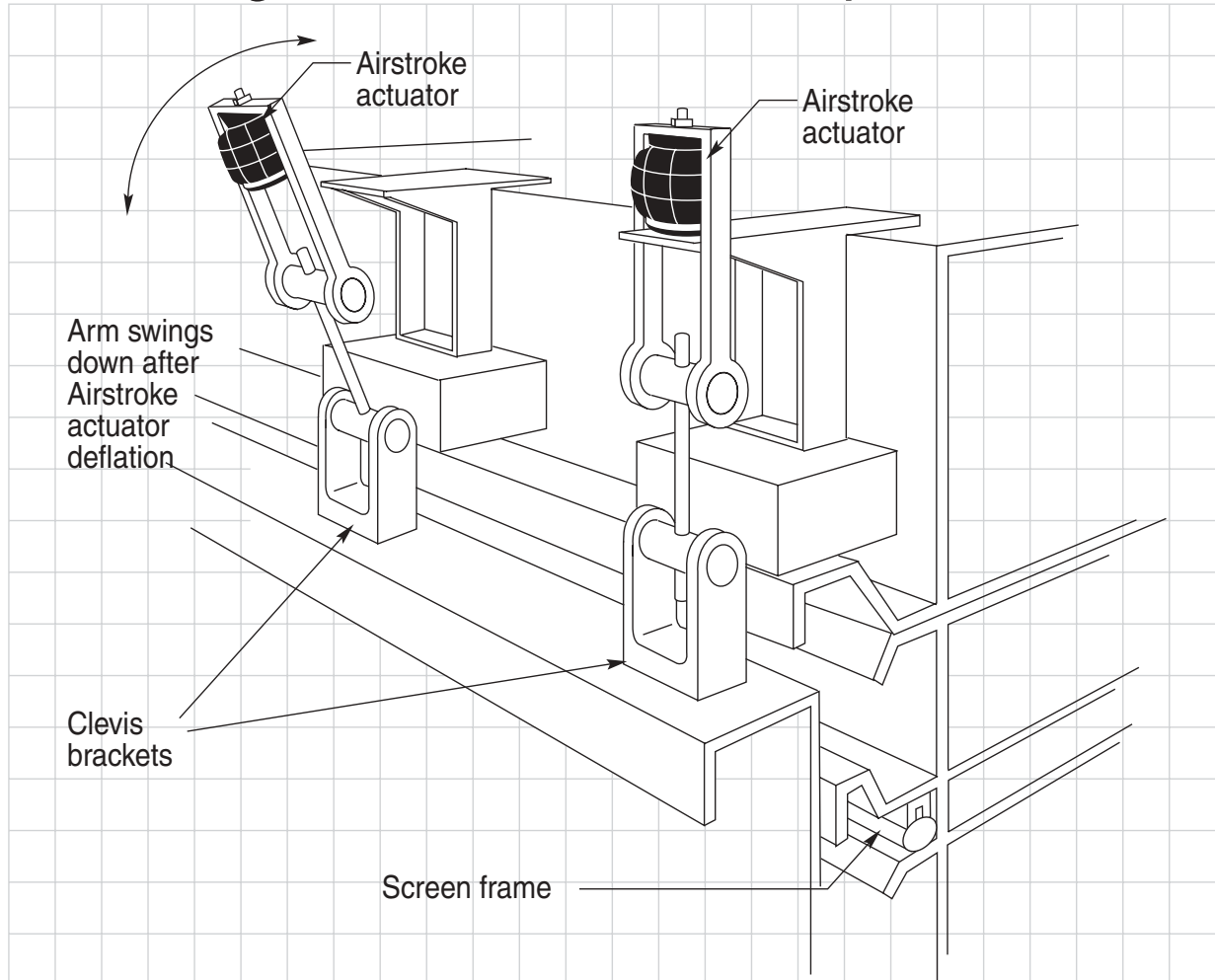


Screening Machine Cover Clamp



Problem

Deterioration of seals on the lids of gyratory screening equipment prevents them from sealing tightly, resulting in operational failure and machine damage.

Solution

The use of Airstroke actuators on lid brackets to help achieve optimum sealing and move-resistance.

Benefit

Proper force is consistently applied to the lids, compensating for the deteriorated seals and improving overall performance.